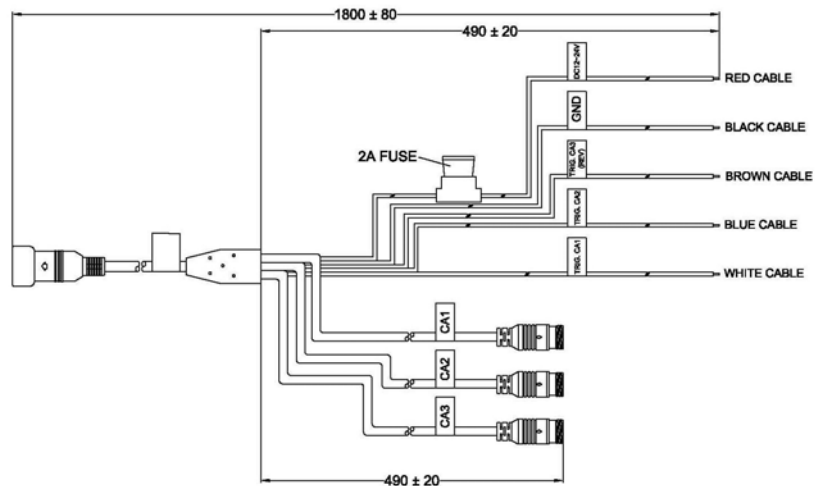
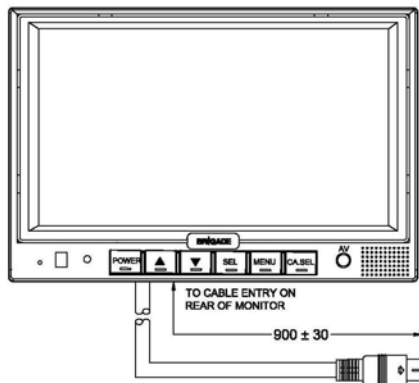


Product Specification



Brigade Model Number: **VBV-770DM**
 Brigade Part Number: **3355A**



Dimensions: mm

Product Specification

Environmental Specifications:

- Shock Rating: 100G
- Vibration Rating: 10G
- Connector IP Rating: N/A
- Monitor IP Rating: N/A
- Operating Temperature: -20° to +70 °C
- Storage Temperature: -30° to +80°C

Approved Standards:

- CE - (EN 61000-6-1:2007 / EN 61000-6-3:2007)
- 'e' Mark - (2009/19/EC)
- FCC - (47 CFR Part 15 Subpart B)
- HALT
- RoHS
- WEEE

Technical Specifications:

- Operating Voltage: 12/24 Vdc
- Current Consumption: ≤ 0.71A @ 10 Vdc
- Power Consumption: ≤ 7.1 Watts @ 10 Vdc
- TV System: PAL / NTSC
- Panel Size: 7.0"
- Resolution: 800 x (RGB) x 480
- Contrast Ratio: 500:1
- Brightness: 400 cd/m²
- Viewing Angle: 50(T), 60(B), 70(L), 70(R)
- Number of Video Inputs: 3 x 4 Pin VBV Camera
1 x 3.5mm 3 Way Jack
- Number of Triggers In: 3
- Number of Triggers Out: None
- Shutter Function on Channels: None
- Tilt Function on Channels: None
- Mirror/Normal via Monitor: All Channels

Technical Specifications Continued...

- Speaker: 8Ω @ 1 Watts
- Monitor Dimensions: (Without Sunshield)
182 mm (W) x 29.6 mm (D) x 121.5 mm (H)
- Monitor Weight: 445 Grams
- Video Input: 1.0 Vp-p / 75Ω
- Cable Thickness:
Power Cables: 18 AWG
Trigger Cables: 18 AWG
- Cable Length:
Monitor Pigtail: 900 ± 30mm
Cable Adapter: 1800 ± 80mm
- Casing Material: ABS 757
- Colour: Soft Touch Black

Features:

- High Quality Digital LCD Panel
- Button Disable/Lock Via OSD Menu
- On Screen Display (OSD) Menu
- Configurable Trigger off Delay (0-10 sec.)
- Backlit Control Buttons
- Built in speaker
- Electronic Distance Markers on Channel 3
- Low Reflection TFT LCD (Anti Glare)
- Automatic Detection of PAL or NTSC Signal

Package Contents:

- 1x VBV-770DM-M - Monitor
- 1x VBV-7X0DM-CA - Cable Adapter
- 1x VBV-770DM-SS - Sunshield
- 1x BMM-015 - Bracket
- 1x BMM-018 - U Bracket
- 1x VBV-770DM-IG - Installation Guide